

Robust Industrial Modules

C&T supports rich expandability to boost wireless connectivity, streamline integration and unlock automation capabilities in harsh deployments. Leading edge and legacy technologies are easily incorporated into a powerful, intelligent IoT solution for better bandwidth and I/O flexibility. Our daughterboard modules integrate easily into C&T embedded and edge computers through standard PCIe protocols. These add-in modules include additional ethernet I/O ports in 1GbE (RJ45 & M12), 10GbE (RJ45), USB 3.2 Gen1, and 5G ready M.2 for scalable connectivity in IoT deployments at the edge.



SIM Slot



D10G Port



LAN Port
PoE Port



M12 LAN Port
M12 PoE Port



USB Port

UNIVERSAL I/O BRACKET

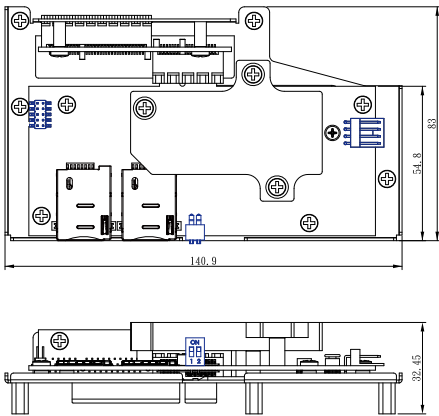
Model No.	Connector	Description
5G Module • DTB-M2BK 	2x SIM Slots	M.2 B Key for 5G module • 2x SIM slot • 1x SIM Switch • Support 1x Universal Slot Only
D10G Module • DTB-D10G 	2x RJ45 Ports	Intel® Ethernet Controller X710-AT2 • 1x PCIe x1 Gold finger (x4 Lane) • 2x 10GbE LAN, RJ45 Port
LAN/POE Module • DTB-4LAN (i210) • DTB-4ETH (i350) 	4x RJ45 LAN/POE Ports	Intel® Ethernet Controller i210 / i350 • 1x PCIe x1 Gold finger • 4x 1GbE LAN, RJ45 Port • Support Power over Ethernet by an optional PoE module
M12 LAN/POE Module • DTB-4LAN-M12 (i210) • DTB-4ETH-M12 (i350) 	4x M12 LAN/POE Ports	Intel® Ethernet Controller i210 / i350 • 1x PCIe x1 Gold finger • 4x 1GbE LAN, M12 Port • Support Power over Ethernet by an optional PoE module
USB Module • DTB-4U3 	4x USB Ports	Supports 4x USB ports (share PCIe Gen2 x1 bandwidth) • Independent 1.5A over-current protection (OCP) for each port • Compliant with xHCI 1.0, USB 3.2 Gen1 Rev 1.0



DTB-M2BK

M.2 B Key for 5G module

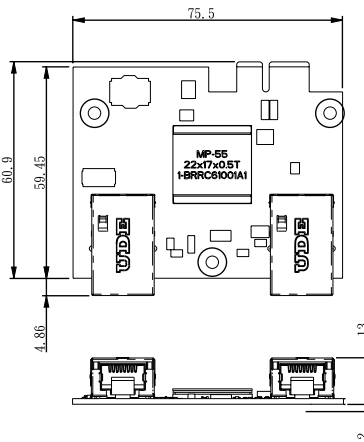
- 2x SIM slot
- 1x SIM Switch
- Support 1x Universal Slot Only



DTB-D10G

Intel® Ethernet Controller X710-AT2

- 1x PCIe x1 Gold finger (x4 Lane)
- 2x 10GbE LAN, RJ45 Port

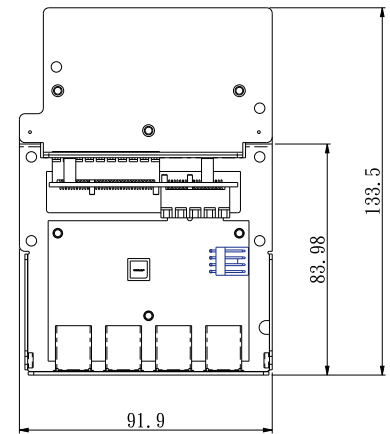


DTB-4U3

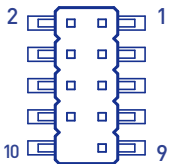
Supports 4x USB ports

(share PCIe Gen2 x1 bandwidth)

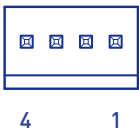
- Independent 1.5A over-current protection (OCP) for each port
- Compliant with xHCI 1.0, USB 3.2 Gen1 Rev 1.0



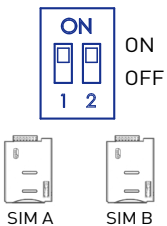
PIN ASSIGNMENT



Pin	Signal	Pin	Signal
2	5V	1	SS TX -
4	D -	3	SS TX +
6	D +	5	GND
8	GND	7	SS RX -
10	N/A	9	SS RX +

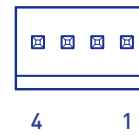


Pin	Signal
1	5V
2	GND
3	GND
4	12V



Switch1/2	Definition
ON / ON	SIM A, SIM B, Link
ON / OFF	SIM A, Link
OFF / ON	SIM B, Link
OFF / OFF	N/A

PIN ASSIGNMENT



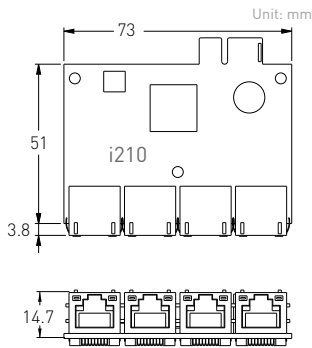
Pin	Signal
1	5V
2	GND
3	GND
4	12V



DTB-4LAN

Intel® Ethernet Controller I210

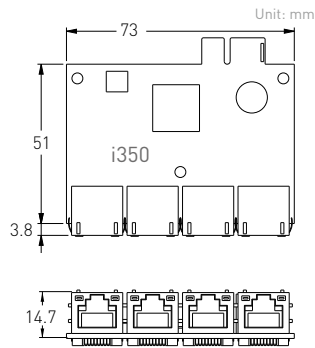
- 1x PCIe x1 Gold finger
- 4x 1GbE LAN, RJ45 Port
- Support Power over Ethernet by an optional PoE module



DTB-4ETH

Intel® Ethernet Controller I350

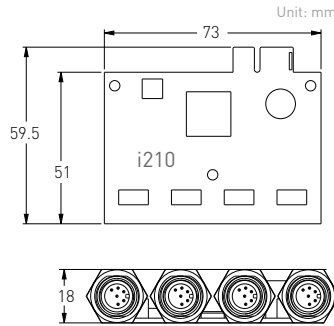
- 1x PCIe x4 Gold finger (x4 Lane)
- 4x 1GbE LAN, RJ45 Port
- Support Power over Ethernet by an optional PoE module



DTB-4LAN-M12

Intel® Ethernet Controller I210

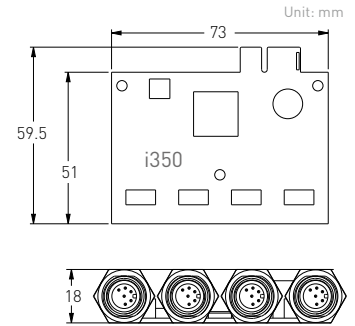
- 1x PCIe x1 Gold finger
- 4x 1GbE LAN, M12 Port
- Support Power over Ethernet by an optional PoE module



DTB-4ETH-M12

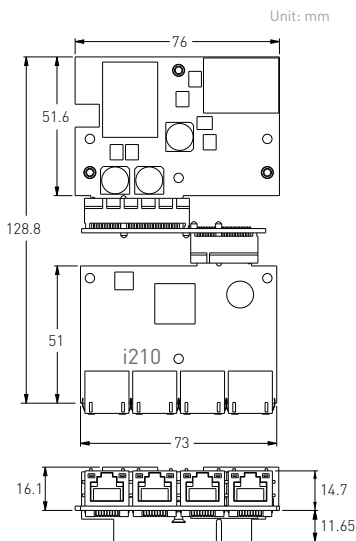
Intel® Ethernet Controller I350

- 1x PCIe x4 Gold finger (x4 Lane)
- 4x 1GbE LAN, M12 Port
- Support Power over Ethernet by an optional PoE module



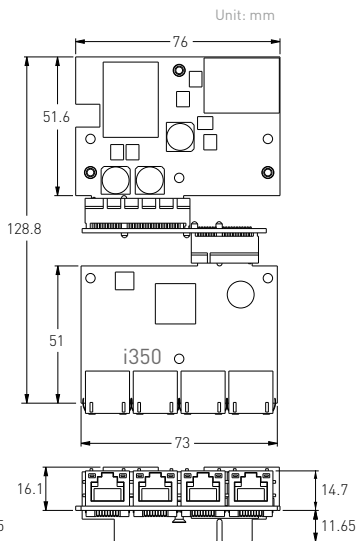
DTB-4LAN-PWR

- up to 25.5 watt per port
- Complies with IEEE 802.3at



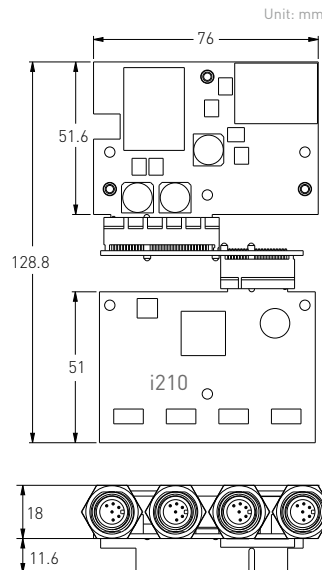
DTB-4ETH-PWR

- up to 25.5 watt per port
- Complies with IEEE 802.3at



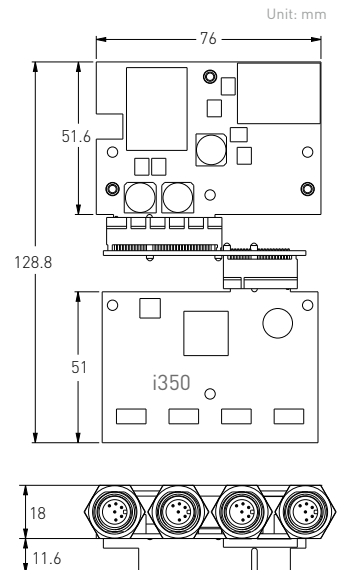
DTB-4LAN-PWR-M12

- up to 25.5 watt per port
- Complies with IEEE 802.3at



DTB-4ETH-PWR-M12

- up to 25.5 watt per port
- Complies with IEEE 802.3at



COMPATIBLE LIST

MODEL NO.	• DTB-M2BK	• DTB-D10G	• DTB-4U3
RCO-6000-CML	•	•	•
ACO-6000-CML	•	•	•
RCO-6000-CFL	•	•	•
RCO-6100	•	•	•
ACO-6000		•	•
RCO-3000-CFL		•	•

MODEL NO.	• DTB-4ETH • DTB-4ETH-PWR	• DTB-4ETH-M12 • DTB-4ETHPWR-M12	• DTB-4LAN • DTB-4LAN-PWR	• DTB-4LAN-M12 • DTB-4LANPWR-M12
RCO-6000-CML	•	•		
ACO-6000-CML	•	•		
RCO-6000-CFL	•	•		
RCO-6100	•	•		
ACO-6000	•	•		
RCO-6000			•	•
RCO-3400			•	•
RCO-3000-CFL	DTB-4ETH only	DTB-4ETH-M12 only		

ORDERING INFORMATION

MODEL NO.	DESCRIPTION
DTB-M2BK	DTB Module with 2x SIM Slots
DTB-D10G	DTB Module with 2x Intel 10GbE LAN
DTB-4U3	DTB Module with 4x USB 3.2 Gen1 ports
DTB-4ETH	DTB Module with 4x Intel 1GbE LAN
DTB-4ETH-M12	DTB Module with 4x Intel M12 1GbE LAN
DTB-4LAN	DTB Module with 4x Intel 1GbE LAN
DTB-4LAN-M12	DTB Module with 4x Intel M12 1GbE LAN
DTB-4ETH-PWR	DTB Module with 4x Intel 1GbE LAN with PoE module
DTB-4ETH-PWR-M12	DTB Module with 4x Intel M12 1GbE LAN with PoE module
DTB-4LAN-PWR	DTB Module with 4x Intel 1GbE LAN with PoE module
DTB-4LAN-PWR-M12	DTB Module with 4x Intel M12 1GbE LAN with PoE module

* All specifications and photos are subject to change without notice.

Distributor: **NeoBoxPC** 5 rue de la Plaine 78860 St Nom la Bretèche FRANCE +33 1 30 64 15 81 www.neoboxpc.com